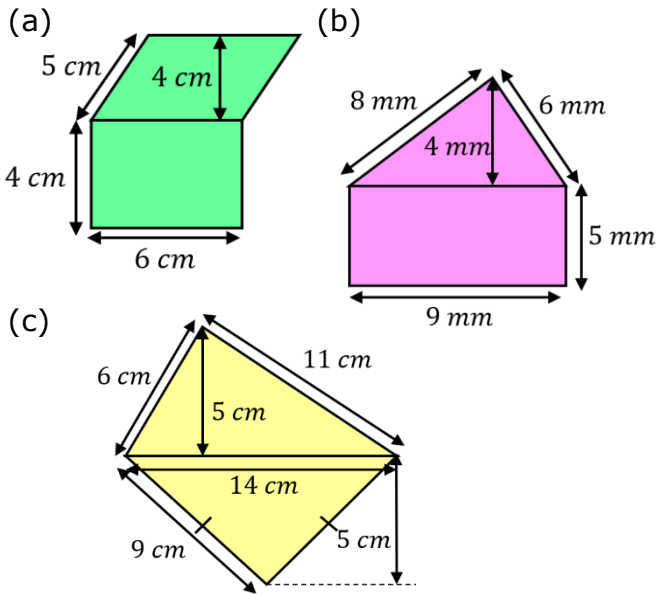


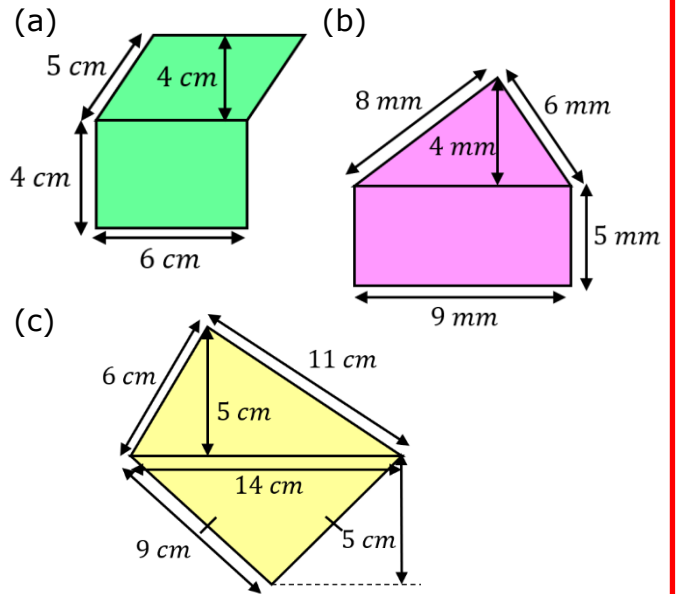
### Compound Shapes

Find the area and perimeter of these compound shapes.

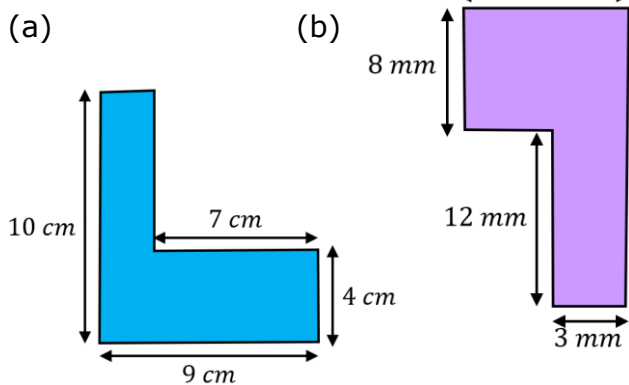


### Compound Shapes

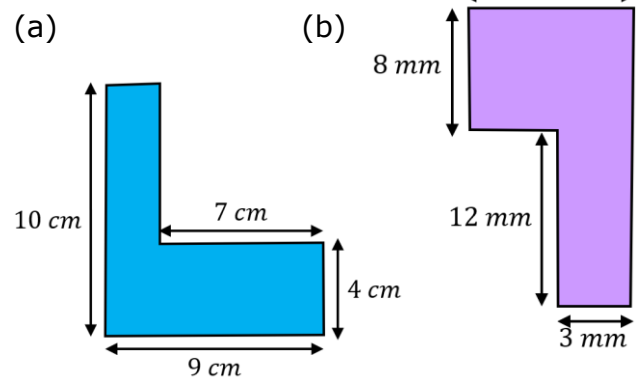
Find the area and perimeter of these compound shapes.



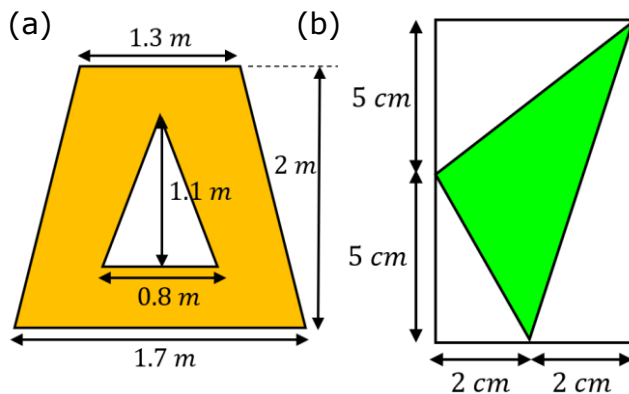
Find the area and perimeter of these compound shapes.



Find the area and perimeter of these compound shapes.



Find the area of the shaded shapes.



Find the area of the shaded shapes.

