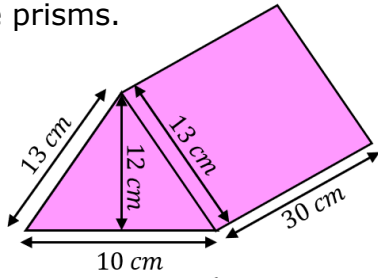


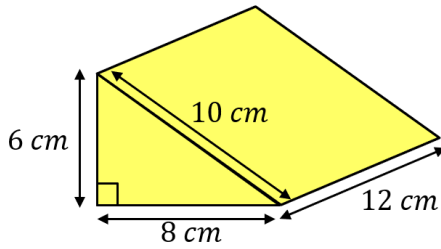
Volume and Surface Area of Prisms

Find the volume and surface area of each of these prisms.

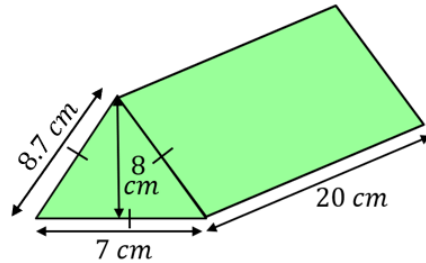
(a)



(b)



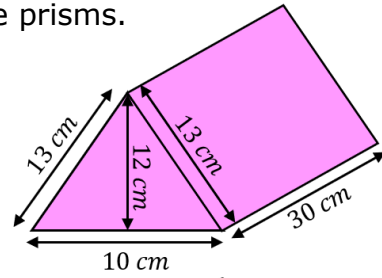
(c)



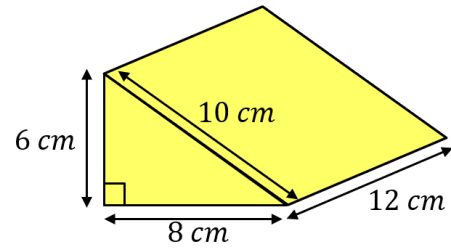
Volume and Surface Area of Prisms

Find the volume and surface area of each of these prisms.

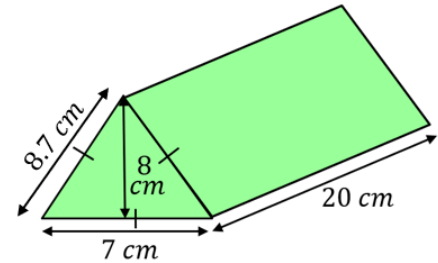
(a)



(b)

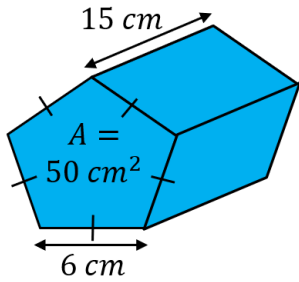


(c)

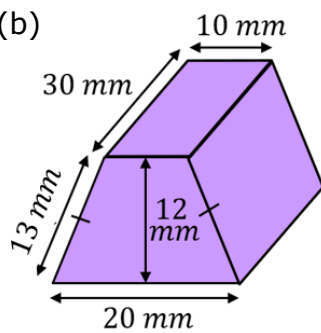


Find the volume and surface area of these prisms.

(a)

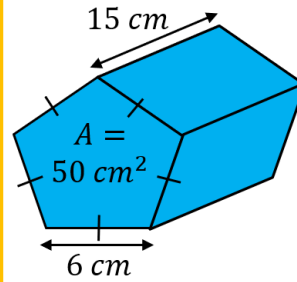


(b)

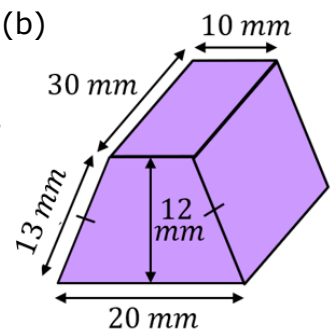


Find the volume and surface area of these prisms.

(a)

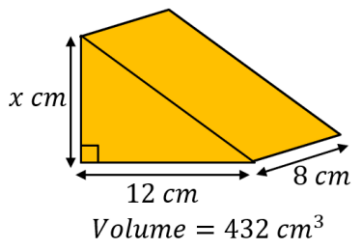


(b)

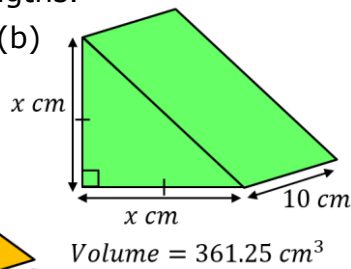


Find the missing lengths.

(a)

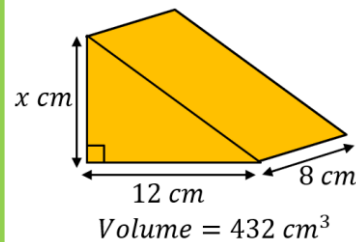


(b)



Find the missing lengths.

(a)



(b)

