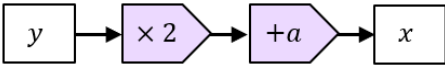
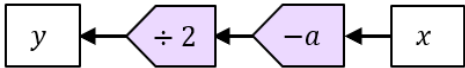
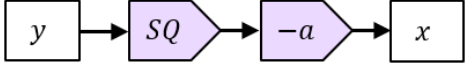
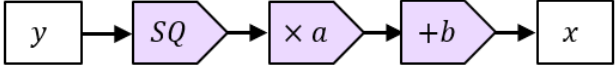


# Fill in the Blanks

# Rearranging Formulae

| $x = \dots$               | Function Machine   | $y = \dots$           |
|---------------------------|--|-----------------------|
| $x = 2y + a$              | <br> | $y = \frac{x - a}{2}$ |
| $x = y^2 - a$             |    |                       |
| $x = \frac{ay}{2}$        |  |                       |
| $x = \sqrt{y + b}$        |  |                       |
| $x = \frac{y}{2} - a$     |  |                       |
| $x = ay^2 + b$            |    |                       |
| $x = \frac{y^2 - 2}{b}$   |  |                       |
| $x = \frac{a\sqrt{y}}{b}$ |  |                       |
| $x = \frac{2y - b}{a}$    |  |                       |
| $x = 2 + by^2$            |  |                       |
| $x = b\sqrt{y + a}$       |  |                       |