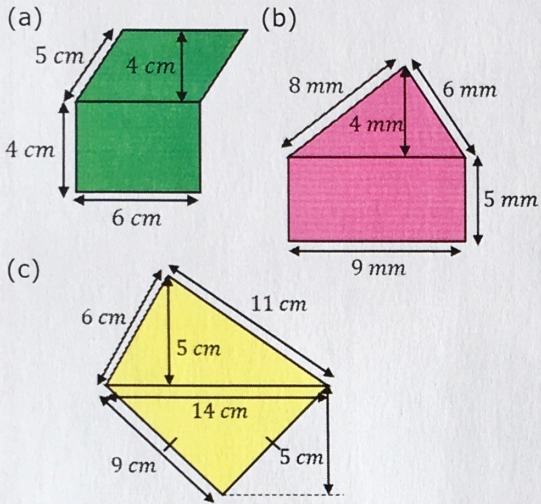


Compound Shapes

Find the area and perimeter of these compound shapes.

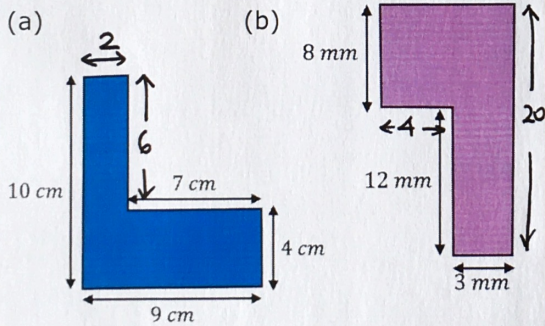


(a) $A = 48 \text{ cm}^2$
 $P = 30 \text{ cm}$

(b) $A = 63 \text{ mm}^2$
 $P = 33 \text{ mm}$

(c) $A = 70 \text{ cm}^2$
 $P = 35 \text{ cm}$

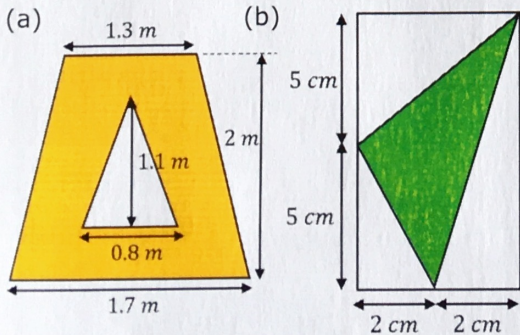
Find the area and perimeter of these compound shapes.



(a) $A = 48 \text{ cm}^2$
 $P = 38 \text{ cm}$

(b) $A = 92 \text{ mm}^2$
 $P = 54 \text{ mm}$

Find the area of the shaded shapes.



(a) 2.56 m^2

(b) 15 cm^2